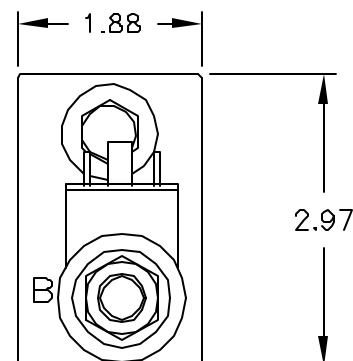


REV	DESCRIPTION	DATE
A	2.97 WAS 2.38; PICTURE CHANGE--NEW BODY	6/15/01
B	DWG NO WAS GA-980217	3/13/03

SOLENOID DATA	
VOLTAGE	PART NO
12 VDC	6306012
24 VDC	6306024
115 VAC	6316115
230 VAC	6316230



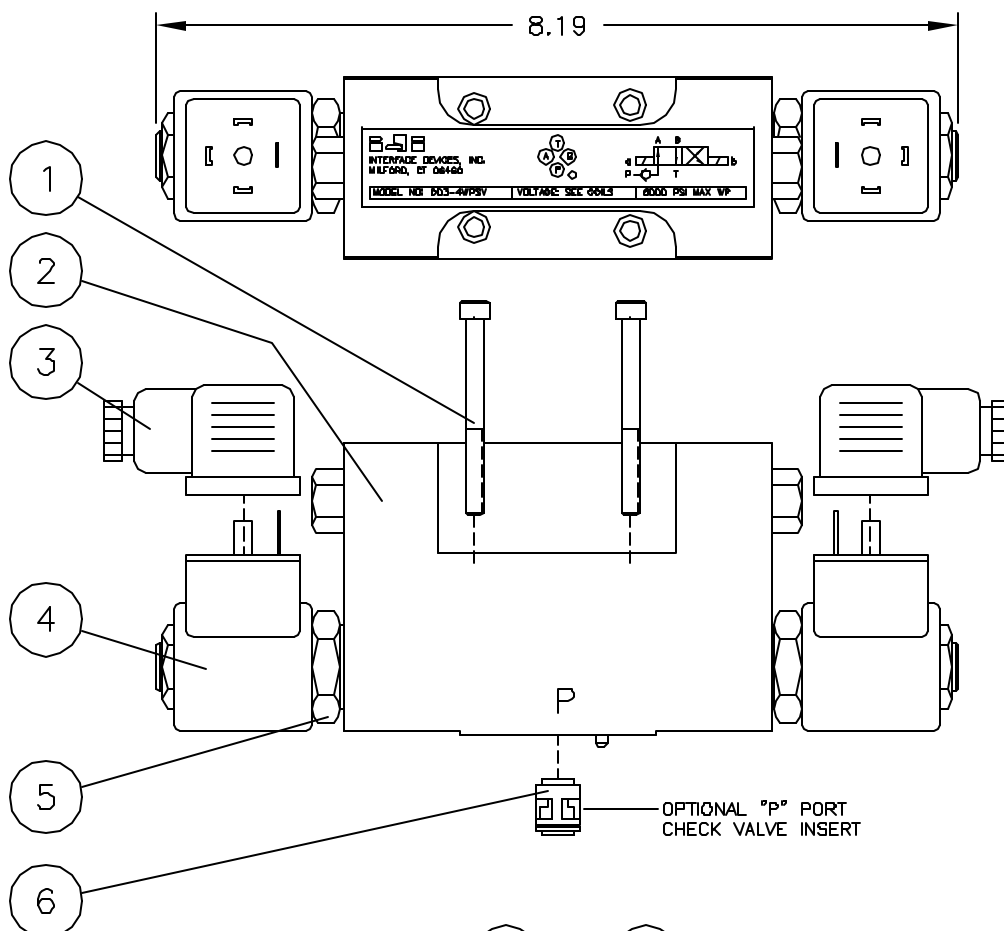
SEAL DATA	
MATERIAL	DASH NO
EPR	-E90
VITON	-M83248
POLYURETHANE	-9250

8	3	S0-011(MATL)	O-RING
7	1	12.0x1.5(MATL)	O-RING
*	6	ICS-B-06-V03	CHECK VALVE
5	2	SF08-20-0-P-0	2-W POPPET VALVE
4	2	(SEE CHART)	SOLENOID
*	3	B12 DIN 43650	CONNECTOR, DIN
2	1	D03-4WPSV	SOLENOID VALVE
*	1	10-24 x 2.00	BOLT KIT (4 SCREWS)
ITEM	QTY	PART NUMBER	DESCRIPTION

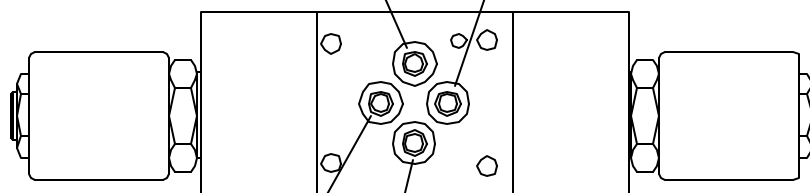


INTERFACE DEVICES, INC.
230 DEPOT ROAD
MILFORD, CT 06460

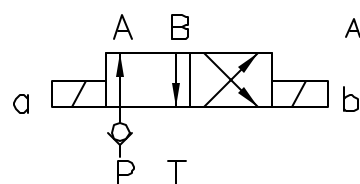
SCALE: HALF	TITLE: GENERAL ARRANGEMENT, 6K SOL POPPET 4-WAY VALVE
DWN BY: WNI	
DATE: 2/17/98	REF: D03-4WPSV
SHT: 1 OF: 1	DWG NO: V03-0002
	REV: B



P PORT 7 8 B PORT



A PORT 8 8 T PORT



USASI SYMBOL

* DENOTES OPTIONAL ACCESSORIES

Flow vs. Pressure Drop
IDI Model DO3 4WPSV (with P Port Check Valve)
Shell Tellus 32 @ 70 Deg F

