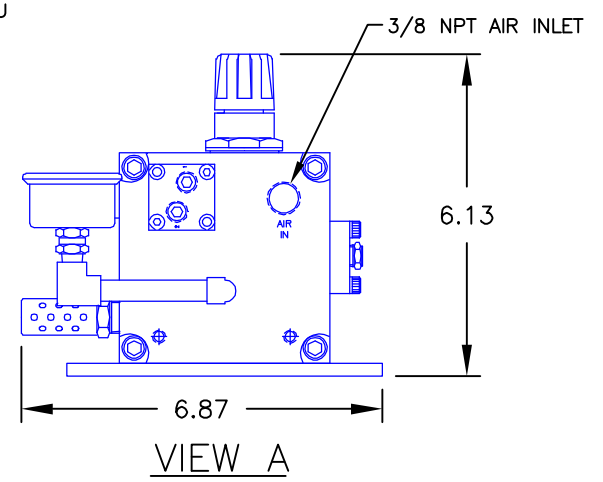
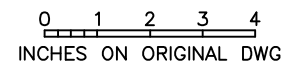


RESERVOIR VOLUME (CU IN)	"A"	"B"
20	1.50	13.3
40	3.00	14.8
60	4.50	16.3
80	5.75	17.5
100	7.25	19.0
120	8.75	20.5
160	11.50	23.3



VIEW A



		INTERFACE DEVICES, INC. 230 DEPOT ROAD MILFORD, CT 06460	
SCALE: N/A	TITLE: GENERAL ARRANGEMENT, H SERIES PUMP, VERTICAL MOUNT		
DWN BY: WNI	REF:		
DATE: 5/26/99	REF:		
SHT: 1 OF 1	DWG NO: GA-HXX-00000-VM	REV:	