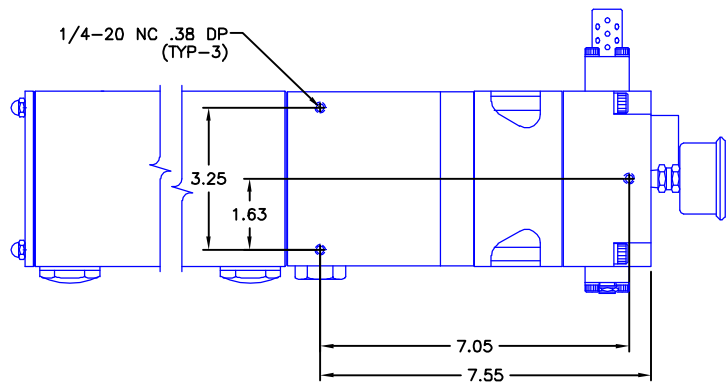
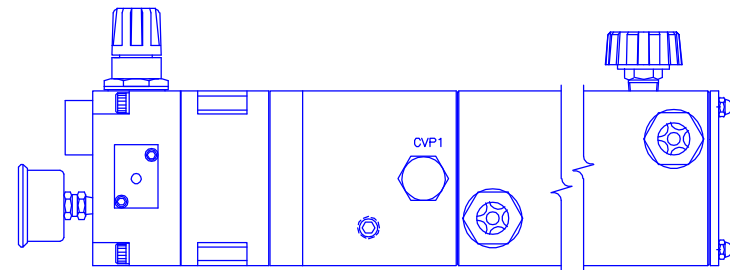
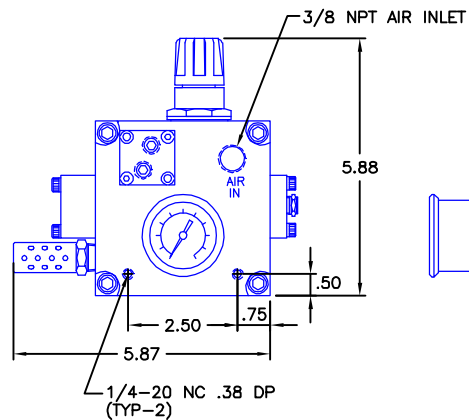
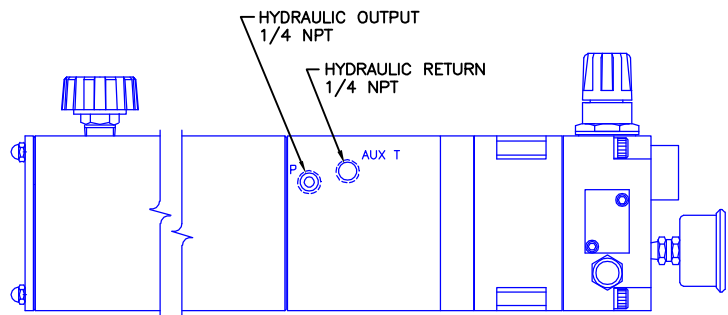


VOLUME (CU IN)	"A"	LENGTH
20	1.50	10.04
40	3.00	11.54
60	4.50	13.04
80	5.75	14.29
100	7.25	15.79
120	8.75	17.29
160	11.50	20.04



		INTERFACE DEVICES, INC. 230 DEPOT ROAD MILFORD, CT 06460	
SCALE: NONE	TITLE: GENERAL ARRANGEMENT, PXXX/XX-XXSC-00000 PUMP		
DWN BY: WNI	REF:		
DATE: 3/25/98	DWG NO: GA-PXXX/XX-00000		
SHT: 1 OF: 1			REV:

0 1 2 3 4
INCHES ON ORIGINAL DWG